

## FLEXMAX

### EXTENSION CRANE

Extension crane for connection of an extraction arm type KUA or EconomyArm.

The crane consists of a frame with a metal tube with a maximum reach of 4,5 m. The wall hinge provides utmost flexibility.

The crane is provided with hooks for the suspension of e.g. a wire feeder, cables and tools.



### APPLICATIONS

The FlexMax is intended to be used for the following applications:

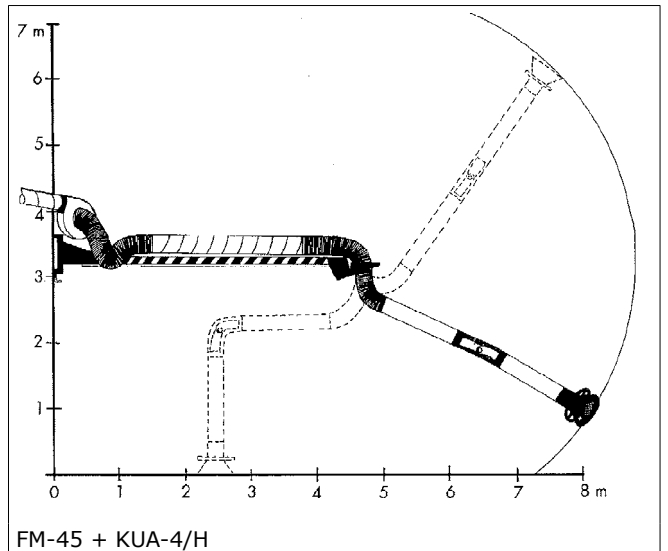
- MIG-MAG/GMAW welding
- TIG welding
- FCAW welding
- stick/MMAW welding



### SPECIFICATIONS

■ Physical dimensions and properties	
Diameter:	
• tubes	• Ø 160 mm (6.3 in.)
• hoses	• Ø 160 mm (6.3 in.)
Colour:	
• tubes	• yellow RAL 1004
• hoses	• black
Weight capacity for suspension of tools etc.	max. 50 kg (110 lbs.)
■ Performance	
Recommended airflow	800-1200 m <sup>3</sup> /h (470-710 cfm)
■ Ambient and process conditions	
Process temperature:	
• min.	• 5°C (41°F)
• nom.	• 20°C (68°F)
• max.	• 70°C (158°F)
Max. relative humidity	90%
Outdoor use allowed	no
Storage conditions	• 5-45°C (41-113°F) • relative humidity max. 90%
■ Product combinations	
KUA	metal tube arm
EconomyArm	hose tube arm
FUA-1800   FUA-2100	extraction fan
■ Order information	
Number/package	1
■ Shipping data	
Harmonized Tariff Code	84219990

### WORKING REACH (example)



### FEATURES & BENEFITS



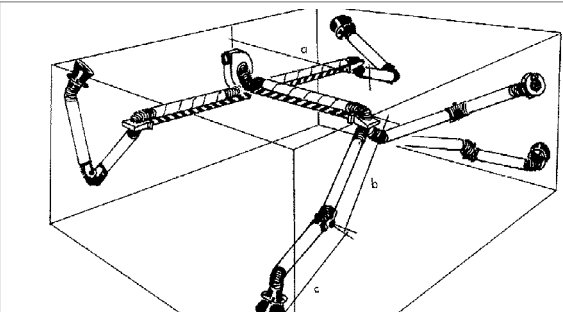
The FlexMax can be mounted in areas with a low ceiling (min. mounting height 2 m)

**Remaining specifications**

	<b>FM-15</b>	<b>FM-25</b>	<b>FM-35</b>	<b>FM-45</b>
<b>■ Physical dimensions and properties</b>				
Length	1550 mm (61 in.)	2550 mm (100 in.)	3550 mm (140 in.)	4550 mm (179 in.)
Weight (net)	28 kg (62 lbs.)	40 kg (88 lbs.)	61 kg (134 lbs.)	73 kg (161 lbs.)
Installation height crane with				
• 2 m arm	• 2,0-3,0 m	• 2,0-3,0 m	• 2,0-3,0 m	• 2,0-3,0 m
• 3 m arm	• 2,0-4,0 m	• 2,0-4,0 m	• 2,0-4,0 m	• 2,0-4,0 m
• 4 m arm	• 2,5-5,0 m	• 2,5-5,0 m	• 2,5-5,0 m	• 2,5-5,0 m
<b>■ Order information</b>				
Art. no.	0000101245	0000101247	0000101249	0000101250
<b>■ Shipping data</b>				
Gross weight				
Packing dimensions				



Suitable for heavy duty



Covers large working area

**Application restrictions**

Do **not** use the product for the following applications or in the following circumstances: polishing applications in combination with grinding, welding or any other application that generate sparks (fibres from polishing or abrasive flap disks are highly flammable and pose a high risk of filter fires when exposed to sparks) | aluminium laser cutting | oil mist | heavy oil mist in welding fume | arc-air gouging | extraction of aggressive fumes and gases (e.g. from acids, from alkaline, from soldering paste containing lithium) | extraction of hot gases (more than 70°C/158°F continuously) | grinding aluminum and magnesium | flame spraying | extraction of cement, saw dust, wood dust etc. | sucking cigarettes, cigars, oiled tissues and other burning particles, objects and acids | explosive environments or explosive substances/gases

Product type

**FlexMax**

Article no.

*refer to Order information*

Product category

extension cranes

Version

100817/0

Always check the latest version on [www.plymovent.com](http://www.plymovent.com)