

KUA-200

FLEXIBLE EXTRACTION ARM

Extraction arm with an external middle hinge. The removable hood has a safety mesh. The arm is fitted with a sealed shut-off damper and is 360° rotatable.

The KUA-200 arm is available in three different types:

- type **H**: for hanging mounting (wall bracket included)
- type **S**: for standing mounting
- type **ATEX**: approved for use in explosive environments Zone 22; marking EX II 3D (for hanging mounting only)



APPLICATIONS

The KUA is intended to be used for the following applications:

- MIG-MAG/GMAW welding
- TIG welding
- FCAW welding
- stick/MMAW welding



SPECIFICATIONS

Physical dimensions and properties

Diameter:	<ul style="list-style-type: none"> • tubes: Ø 200 mm (7.9 in.) • hood opening: Ø 340 mm (13.4 in.)
Material of tubes	aluminium
Material of hoses	PVC with spring steel wire
Colour:	<ul style="list-style-type: none"> • tubes: yellow RAL 1004 • hoses: black

Performance

Recommended airflow	800-1200 m ³ /h (470-710 cfm)
---------------------	--

Ambient and process conditions

Process temperature:	<ul style="list-style-type: none"> • min.: 5°C (41°F) • nom.: 20°C (68°F) • max.: 70°C (158°F)
Max. relative humidity	90%
Outdoor use allowed	no
Storage conditions	<ul style="list-style-type: none"> • 5-45°C (41-113°F) • relative humidity max. 90%

Product combinations

KUA-200/3/H | 4/H (incl. ATEX versions)

FUA-1800 FUA-2100 FUA-3000	extraction fan
FM-15/200 FM-25/200 FM-35/200 FM-45/200	extension crane
PA-110/200 PA-220/200	stanchion

Scope of supply

- H types: extraction arm (in parts) – Wall bracket
- S types: extraction arm (in parts)

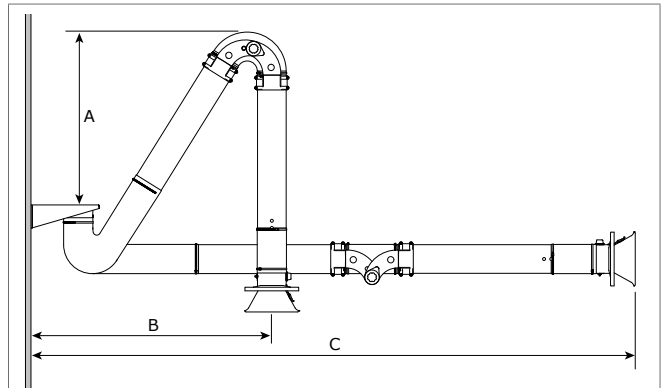
Order information

Number/package	1
----------------	---

Shipping data

Harmonized Tariff Code	84219990
------------------------	----------

WORKING REACH

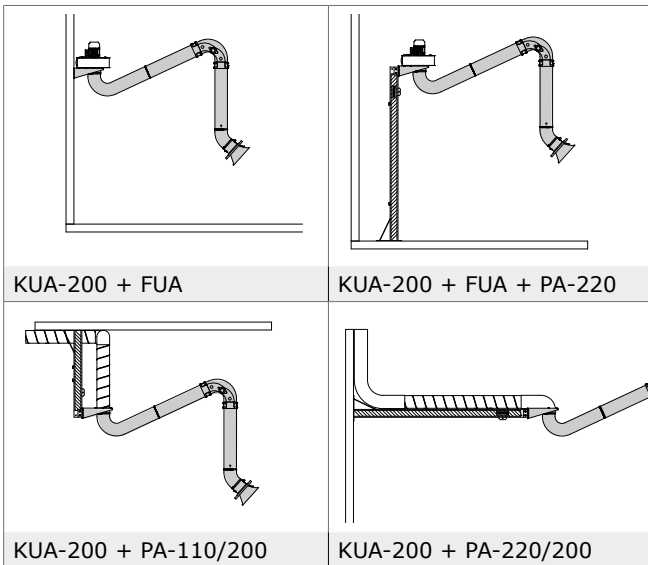


	KUA-200/3/H		KUA-200/4/H	
	mm	inch	mm	inch
A	1150	45.3	1450	57.1
B	1450	57.1	1620	63.8
C	3440	135.4	4130	162.6

Remaining specifications

	KUA-200/3/H	KUA-200/3/S	KUA-200/4/H	KUA-200/4/S
Physical dimensions and properties				
Length	3 m (9.8 ft)	3 m (9.8 ft)	4 m (13.1 ft)	4 m (13.1 ft)
Weight (net)	39 kg (86 lbs.)	34 kg (75 lbs.)	41 kg (90 lbs.)	36 kg (79 lbs.)
Order information				
Art. no.	0000112775	0000112877	0000112776	0000112878
Shipping data				
Gross weight	41 kg (90 lbs.)	36 kg (79 lbs.)	43 kg (95 lbs.)	38 kg (84 lbs.)
Packing dimensions	1740 x 355 x 660 mm (68.5 x 14 x 26 in.)		2085 x 355 x 660 mm (82 x 14 x 26 in.)	

MOUNTING POSSIBILITIES "H" TYPES



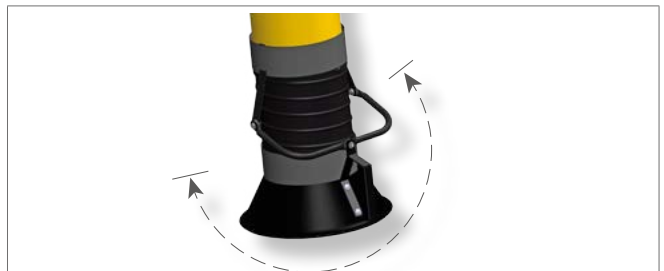
FEATURES & BENEFITS



External middle hinge allows for easy adjustment; no tools required

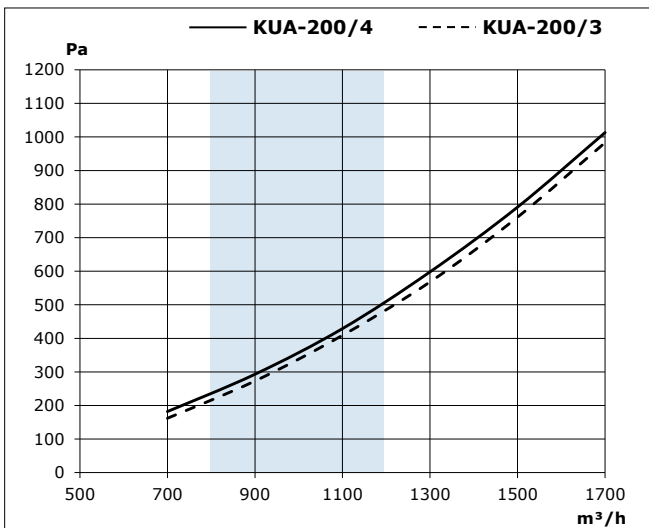


Low resistant aluminium tubes



The hood is 110° movable in four directions

PRESSURE DROP



Application restrictions

Do **not** use the product for the following applications or in the following circumstances: polishing applications in combination with grinding, welding or any other application that generate sparks (fibres from polishing or abrasive flap disks are highly flammable and pose a high risk of filter fires when exposed to sparks) | aluminium laser cutting | oil mist | heavy oil mist in welding fume | arc-air gouging | extraction of aggressive fumes and gases (e.g. from acids, from alkaline, from soldering paste containing lithium) | extraction of hot gases (more than 70°C/158°F continuously) | grinding aluminium and magnesium | flame spraying | extraction of cement, saw dust, wood dust etc. | sucking cigarettes, cigars, oiled tissues and other burning particles, objects and acids | explosive environments or explosive substances/gases

Product type

KUA-200

Article no.

refer to Order information

Product category

extraction arms

Version

100118/0

Always check the latest version on www.plymovent.com