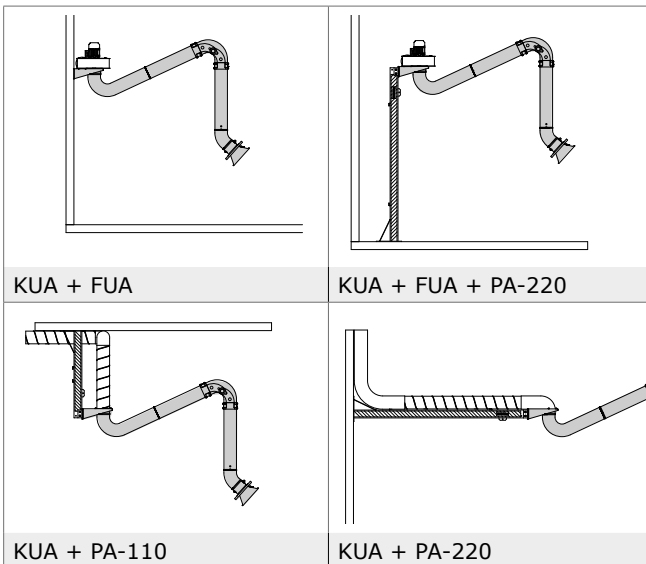


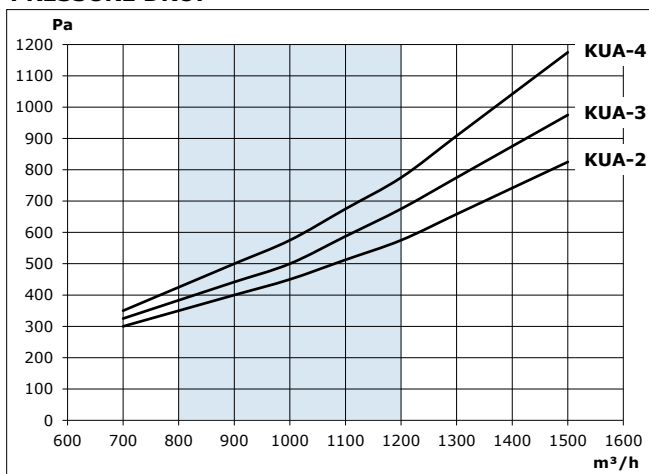
Remaining specifications

	KUA-2/H	KUA-2/S	KUA-3/H	KUA-3/S	KUA-4/H	KUA-4/S
Physical dimensions and properties						
Length	2 m (6.6 ft)	2 m (6.6 ft)	3 m (9.8 ft)	3 m (9.8 ft)	4 m (13.1 ft)	4 m (13.1 ft)
Weight (net)	18,5 kg (40.8 lbs)	14 kg (30.9 lbs)	21 kg (46.3 lbs)	16 kg (35.3 lbs)	22 kg (48.5 lbs)	17 kg (37.5 lbs)
Order information						
Art. no.	0000101154	0000101168	0000101157	0000101170	0000101160	0000101173
Art. no. (ATEX)	0000101176	-	0000101178	-	0000101180	-
Art. no. (H-D)	0000101164	-	0000101165	-	0000101166	-
Shipping data						
Gross weight	20 kg (44.1 lbs)	16 kg (35.3 lbs)	21,5 kg (47.4 lbs)	19,5 kg (43.0 lbs)	23 kg (50.7 lbs)	21 kg (46.3 lbs)
Packing dimensions	1200 x 300 x 390 mm (47.2 x 11.8 x 15.4 in.)		1600 x 300 x 500 mm (63.0 x 11.8 x 19.7 in.)		2100 x 300 x 500 mm (82.7 x 11.8 x 19.7 in.)	

MOUNTING POSSIBILITIES "H" TYPES



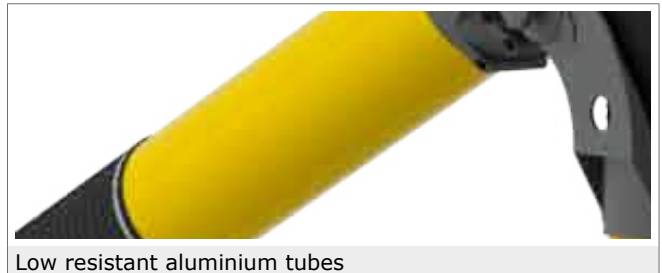
PRESSURE DROP



Application restrictions

Do **not** use the product for the following applications or in the following circumstances: polishing applications in combination with grinding, welding or any other application that generate sparks (fibres from polishing or abrasive flap disks are highly flammable and pose a high risk of filter fires when exposed to sparks) | aluminium laser cutting | oil mist | heavy oil mist in welding fume | arc-air gouging | extraction of aggressive fumes and gases (e.g. from acids, from alkaline, from soldering paste containing lithium) | extraction of hot gases (more than 70°C/158°F continuously) | grinding aluminum and magnesium | flame spraying | extraction of cement, saw dust, wood dust etc. | sucking cigarettes, cigars, oiled tissues and other burning particles, objects and acids | explosive environments or explosive substances/gases

FEATURES & BENEFITS



Product type

KUA

Article no.

refer to Order information

Product category

extraction arms

Version

141016/B

Always check the latest version on www.plymovent.com