

SFD

STATIONARY WELDING FUME FILTER

The SFD is a wall-mounted filter unit that provides filtration for use with one (FAN-28 or FAN-42) or two (FAN-28) fans and extraction arms.

The SFD features an aluminum spark arrester and a square disposable cellulose filter cartridge. This filter cartridge is provided with a precoat to extend the lifespan and the efficiency of the filter. A filter pollution indicator indicates when filter replacement is required. The SFD requires no electricity.



APPLICATIONS

The SFD is intended to be used for the following applications:

- MIG-MAG/GMAW welding (annual use: <700 kg/1500 lbs)
- TIG welding
- FCAW welding (annual use: <700 kg/1500 lbs)
- stick/MMAW welding (annual use: <500 kg/1100 lbs)



Do **not** use the SFD for the following applications or in the following circumstances:

- arc-air gouging
- aluminium laser cutting
- oil mist
- heavy oil mist in welding fume
- extraction of aggressive fumes and gases (e.g. from acids, from alkaline, from soldering paste containing lithium)
- extraction of hot gases (more than 45°C/113°F continuously)
- grinding aluminum and magnesium
- flame spraying
- extraction of cement, saw dust, wood dust etc.
- sucking cigarettes, cigars, oiled tissues and other burning particles, objects and acids
- explosive environments or explosive substances/gases



SPECIFICATIONS

Physical dimensions and properties

Material	polypropylene
Colour:	<ul style="list-style-type: none"> • Filter cover: yellow RAL 1028 • Bottom housing: grey RAL 7024
Weight (net)	30 kg (66 lbs)

FILTERS

Material:	<ul style="list-style-type: none"> • Pre filter: aluminium • DuraFilter FCC-50: phenol impregnated cellulose + polyurethane + cardboard
Filter surface area:	<ul style="list-style-type: none"> • Pre filter: 0,5 m² (5.38 ft²) • DuraFilter FCC-50: 50 m² (538 ft²)
Treatment	SurfacePlus precoat on DuraFilter FCC-50

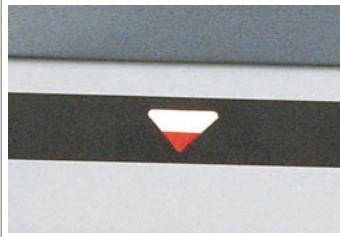
Efficiency:	<ul style="list-style-type: none"> • Pre filter: 80% < 90% • DuraFilter FCC-50: > 99%
Filter class:	<ul style="list-style-type: none"> • Pre filter: G3 according to DIN EN 779 • DuraFilter FCC-50: M according to NEN EN IEC 60335-2-69
Performance	
Airflow:	<ul style="list-style-type: none"> • 1 arm: 1250 m³/h (735 CFM) • 2 arms: 1700 m³/h (1000 CFM)
Ambient conditions	
Operating temperature:	<ul style="list-style-type: none"> • min.: 5°C (41°F) • nom.: 20°C (68°F) • max.: 45°C (113°F)
Max. relative humidity	80%
Outdoor use allowed	no
Storage conditions	<ul style="list-style-type: none"> • 5-45°C (41-113°F) • relative humidity max. 80%
Product combinations	
FAN-28/42	extraction fan
T-Flex, Flex-2, (Ultra)Flex-3/4, UltraFlex-4/LowCeiling	extraction arm
Scope of supply	
Filter unit - Mounting plate	
Order information	
Article number	7435000000
Number/package	1
Shipping data	
Gross weight	41 kg (90.5 lbs)
Packing dimensions	88 x 79 x 102 cm (34.6 x 31.1 x 40.2 in.)
Max. number/pallet	2
Harmonized Tariff Code	8421.39.2090
Country of origin	Netherlands

FEATURES

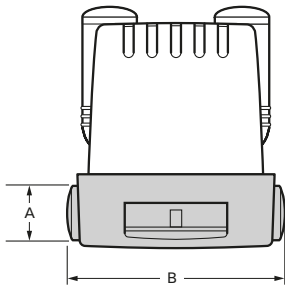
Large filter surface area



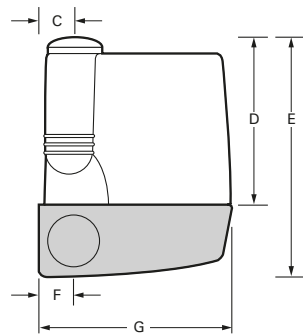
Filter pollution indicator



DIMENSIONS

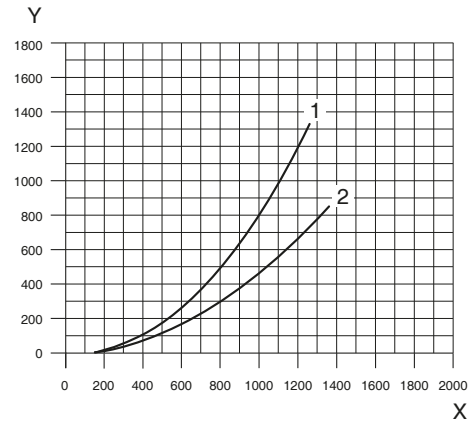


	mm	inch
A	Ø 160-200	Ø 6.30-7.87
B	810	31.9



	mm	inch
C	130	5.12
D	640	25.2
E	900	35.4
F	130	5.12
G	730	28.7

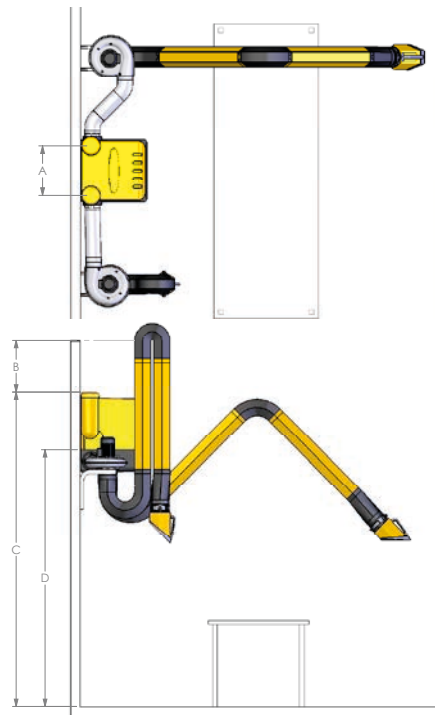
PRESSURE DROP



X = Airflow (m³/h)
Y = Static pressure (Pa)

1 = Clogged filter
2 = Clean filter

MOUNTING MEASUREMENTS



	mm	inch	remarks
A	520	20.5	
B	min. 700	min. 27.5	to exchange filter
C	3425	134.8	
D	2745	108.1	height mounting bracket SFD

SFD + 2x (Ultra)Flex-4

Product type	SFD
Article no.	743500000
Product category	Stationary welding fume filters
Version	110414/E

Always check the latest version on www.plymovent.com